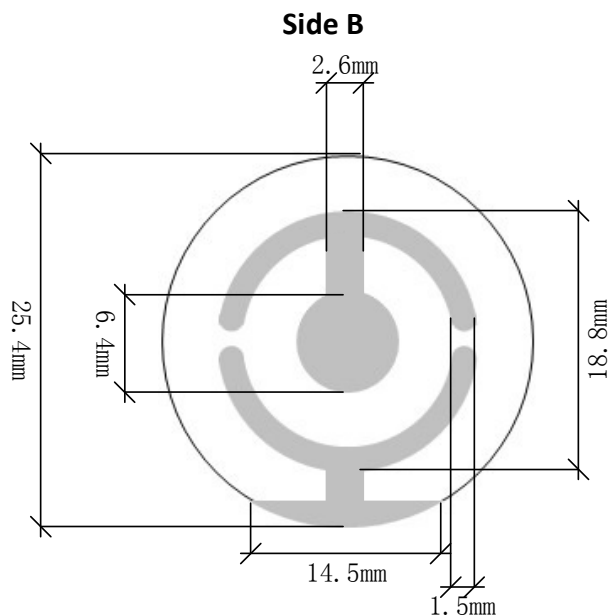
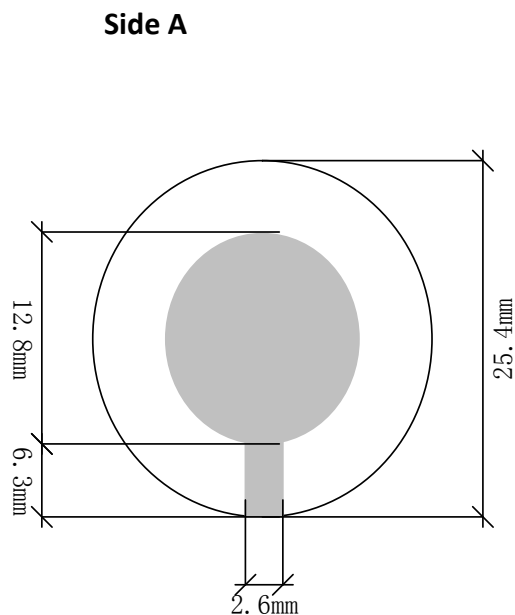


Specification	AXQCV500-Au	Rev.: 2.1	Date: 2014-11-04
---------------	-------------	-----------	------------------

Type : **Quartz Crystal Sensor Element (Monitor Crystal)**
Polished, 25.4 mm diameter

Parameter	min.	typ.	max.	Unit	Condition
Nominal frequency		5.000		MHz	
Adjustment frequency		5.000		MHz	
Crystal cut		AT			
Overtone		1			
Crystal contour		Plano-plano			
Adjustment tolerance	-7		+7	kHz	@ 25°C
Frequency stability					
Over operating temperature range	-50		+50	ppm	
Resonance resistance R _r			20	Ω	
Motional capacitance C ₁				fF	
Shunt capacitance C ₀			7	pF	
Drive level		100		μW	
Operating temperature range	0		+70	°C	
Storage temperature range	-40		+105	°C	
QCV diameter		25.4 ± 0.05		mm	
Blank surface quality		polished			
Electrode diameter Side A		12.8		mm	See drawing
Electrode material Side A		Cr-Au			
Electrode Side B		6.4		mm	See drawing
Electrode material Side B		Cr-Au			



Ordering Code:

Model (Specification)	Frequency [MHz]
AXQCV500-Au	5.000

Revision History

Rev.	Drawing	Date [dd.mm.yyyy]	Remarks	Author	Checked
1.0		13.08.2012		BN	BN
2	D1	02.06.2014	Editorial changes	BN	BN
2.1		04.11.2014	Changed electrode Cr-Au	PI	