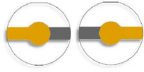


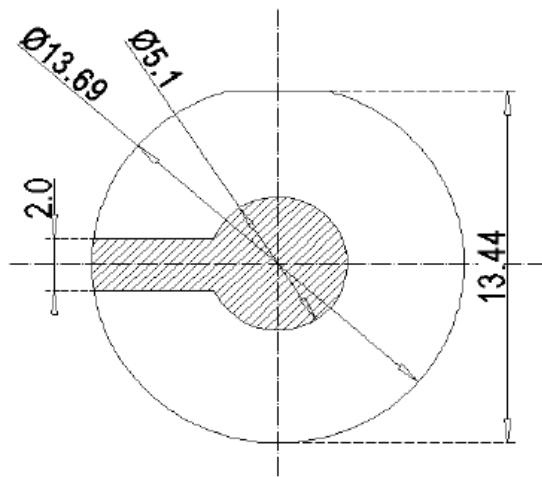
Specification	AXQCS505A	Rev.: 1	Date: 2020-11-01
---------------	-----------	---------	------------------

Quartz Crystal Sensor Element

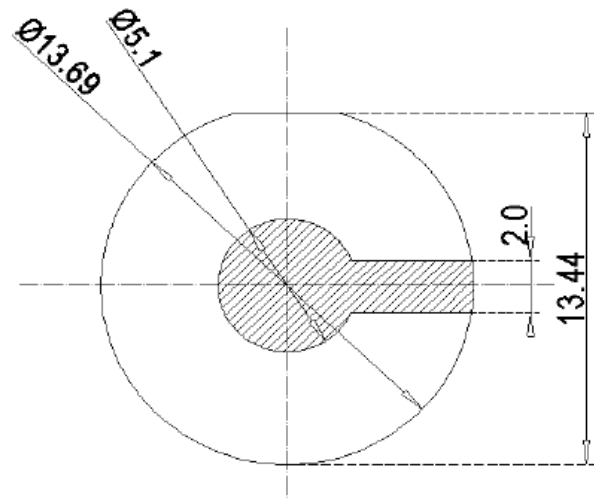


Parameter	min.	typ.	max.	Unit	Condition
Nominal frequency		5.000		MHz	
Adjustment frequency		5.000		MHz	
Crystal cut		AT			35°15'±2'
Overtone		1			
Frequency tolerance	-7		+7	kHz	
Frequency stability					
Over operating temperature range	-50		+50	ppm	
Resonance resistance R _r			15	Ω	
Motional capacitance C ₁				fF	
Shunt capacitance C ₀			20	pF	
Drive level		100		μW	
Operating temperature range	+60	+70	+80	°C	
Storage temperature range	-40		+105	°C	
QCM diameter	13.69x13.44 +0/-0.03			mm	Plano-plano with bevel
Blank surface quality	Polished				R _a = 0.012 ~ 0.05 μm
Electrode diameter Side A	5.1			mm	Key hole
Electrode material Side A	Cr-Au				
Electrode diameter Side B	5.1			mm	Key hole
Electrode material Side B	Cr-Au				

Side A (Plane)



Side B (Plane)



Ordering Code:

Model (Specification)	Revision	Frequency [MHz]
AXQCS505A	1	5.000

Revision History

Rev.	Drawing	Date [dd.mm.yyyy]	Remarks	Author	Checked
1	D0	01.11.2020	First issue AXQCS505A	BN	BN