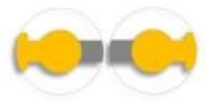


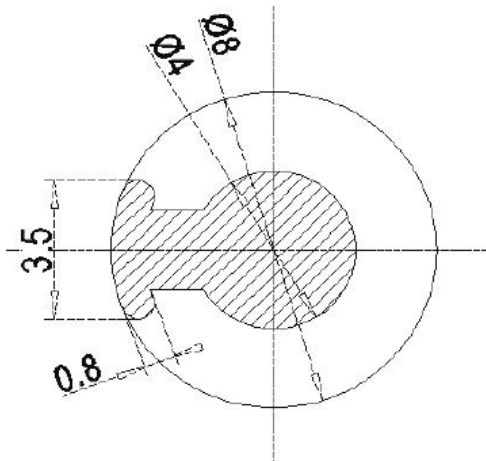
Specification	AXQCS1016A	Rev.: 1	Date: 2020-10-22
---------------	------------	---------	------------------

Quartz Crystal Sensor Element

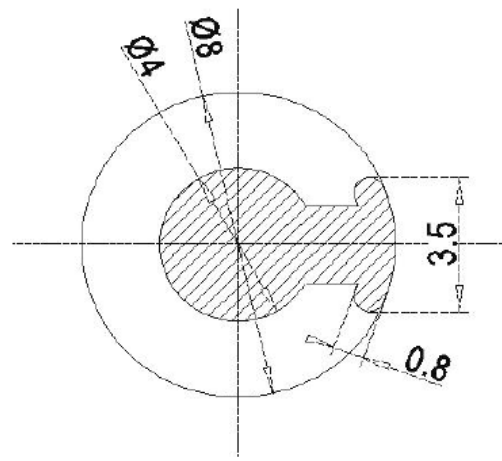


Parameter	min.	typ.	max.	Unit	Condition
Nominal frequency		10.000		MHz	
Adjustment frequency		10.000		MHz	
Crystal cut		AT			35°15'±2'
Overtone		1			
Frequency tolerance	-20		+20	kHz	
Frequency stability					
Over operating temperature range	-50		+50	ppm	
Resonance resistance R _r			30	Ω	
Motional capacitance C ₁				fF	
Shunt capacitance C ₀			20	pF	
Drive level		100		μW	
Operating temperature range	+60	+70	+80	°C	
Storage temperature range	-40		+105	°C	
QCM diameter		8.0 +0/-0.03		mm	Plano-plano
Blank surface quality		Polished			R _a = 0.012 ~ 0.05 μm
Electrode diameter Side A		4.0		mm	Key hole
Electrode material Side A		Cr-Au			
Electrode diameter Side B		4.0		mm	Key hole
Electrode material Side B		Cr-Au			

Side A (Plane)



Side B (Plane)



Ordering Code:

Model (Specification)	Revision	Frequency [MHz]
AXQCS1016A	1	10.000

Revision History

Rev.	Drawing	Date [dd.mm.yyyy]	Remarks	Author	Checked
1	D0	22.10.2020	First issue AXQCS1016A	BN	BN