

Specification	AXQCM506	Rev.: 1	Date: 2020-10-04
---------------	----------	---------	------------------

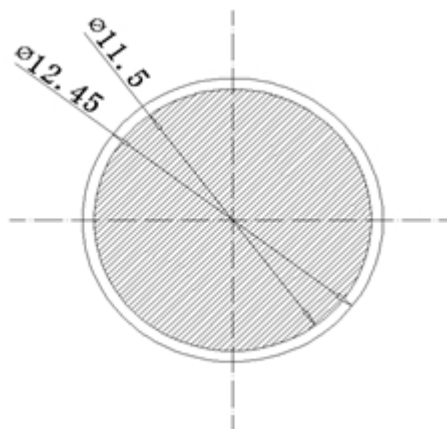
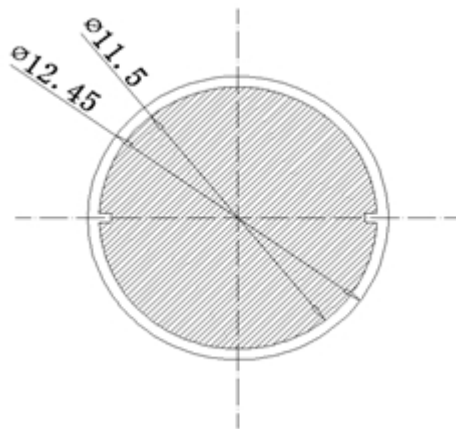
Quartz Crystal Microbalance Element (Monitor Crystal)



Parameter	min.	typ.	max.	Unit	Condition
Nominal frequency		5.000		MHz	
Adjustment frequency		5.000		MHz	
Crystal cut		AT			35°15'±1'
Overtone		1			
Frequency tolerance	-5		+5	kHz	
Frequency stability					
Over operating temperature range	-50		+50	ppm	
Resonance resistance R _r			30	Ω	
Motional capacitance C ₁				fF	
Shunt capacitance C ₀			20	pF	
Drive level		100		μW	
Operating temperature range	+60	+70	+80	°C	
Storage temperature range	-40		+105	°C	
QCM diameter	12.45 +0/-0.03			mm	Plano-convex
Convex radius R	106			mm	
Blank surface quality	Fine lapped				R _a = 0.8 ~ 1.6 μm
Electrode diameter Side A	11.5 ± 0.1			mm	Fully plated with two gaps
Electrode material Side A	Cr-Au				
Electrode diameter Side B	11.5 ± 0.1			mm	Fully plated
Electrode material Side B	Cr-Au				

Side A (Plane)

Side B (Convex)



Ordering Code:

Model (Specification)	Revision	Frequency [MHz]
AXQCM506	1	5.000

Revision History

Rev.	Drawing	Date [dd.mm.yyyy]	Remarks	Author	Checked
1	D0	04.10.2020	First issue AXQCM506	BN	BN