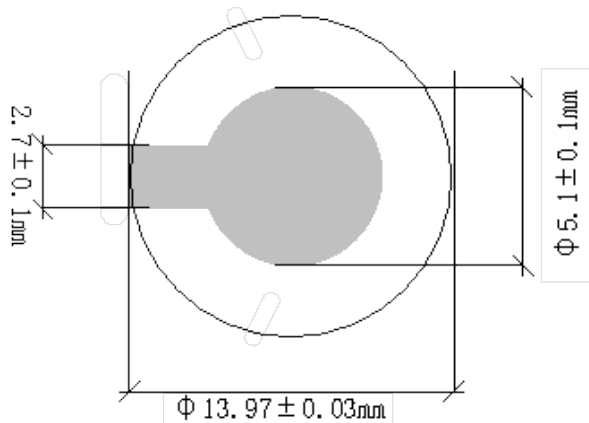


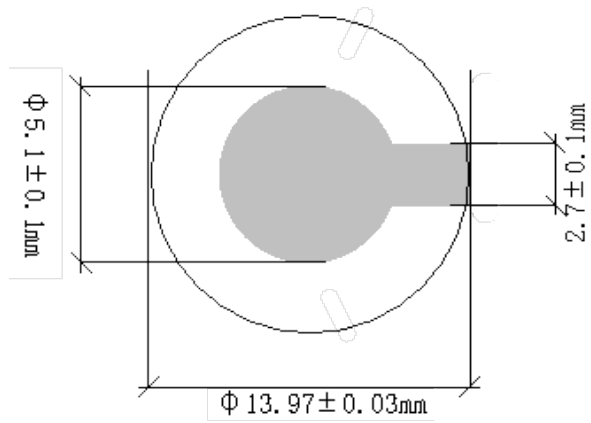
Specification	AXQCM10-05-TiAu	Rev.:1	Date: 2019-04-19
Type :	Quartz Crystal Microbalance Element (Monitor Crystal)		

Parameter	min.	typ.	max.	Unit	Condition
Nominal frequency	10.000			MHz	
Adjustment frequency	10.000			MHz	
Crystal cut	AT				
Overtone	1				
Adjustment tolerance	-20		+20	kHz	@ 25°C
Frequency stability					
Over operating temperature range	0		+70	ppm	
Resonance resistance R <sub>r</sub>			15	Ω	
Motional capacitance C <sub>1</sub>				fF	
Shunt capacitance C <sub>0</sub>			7	pF	
Drive level		100		μW	
Operating temperature range	0		+70	°C	
Storage temperature range	-40		+105	°C	
QCM diameter	13.97±0.03			mm	
Shape	Plano-plano				
Blank surface quality	Fine lapped 2 μm				
Electrode diameter Side A	5.1 ± 0.1			mm	See drawing
Electrode material Side A	Ti-Au				
Electrode diameter Side B	5.1 ± 0.1			mm	See drawing
Electrode material Side B	Ti-Au				

Side A



Side B



### Ordering Code

dering Code:

Model (Specification)	Frequency [MHz]
AXQCM10-05-TiAu	10.000

**Revision History**

Rev.	Drawing	Date [dd.mm.yyyy]	Remarks	Author	Checked
1	D0	19.04.2019	First issue	BN	BN