

| | | | |
|---------------|--------|---------|------------------|
| Specification | QF2605 | Rev.: 1 | Date: 2017-01-02 |
|---------------|--------|---------|------------------|

Filter type : **Front End (Antenna) Crystal Filter**

| Parameter | min. | typ. | max. | Unit | Condition |
|------------------------------------|--------------|---------|------|---------|-------------------------|
| Frequency range | 135 | | 180 | MHz | |
| Standard frequencies | | | | kHz | |
| Pass bandwidth | ±7,5 | | | kHz | @ 3 dB |
| Pass band ripple | | | 1 | dB | @ fo ± 4 kHz |
| Insertion / transducer attenuation | | | 6 | dB | |
| Shape factor SF | | | | | ... dB / ... dB |
| Selectivity | | | | | |
| | | | ±25 | kHz | @ 20 dB |
| | | | ±60 | kHz | @ 60 dB |
| | | | | kHz | @ ... dB |
| Spurious response attenuation | 45 | | | dB | |
| Ultimate attenuation | 60 | | | dB | |
| Termination | | | | | |
| Input | | 50 // 0 | | Ω // pF | |
| Output | | 50 // 0 | | Ω // pF | |
| Group delay | | | | μs | |
| Input Power | | | | | |
| nominal | | 0,1 | | mW | |
| Maximum (for 10 sec) | | | 1 | mW | |
| Operating temperature range | 0 | | +60 | °C | |
| Operable temperature range | -20 | | +70 | °C | |
| Storage temperature range | -40 | | +85 | °C | |
| Enclosure (see drawing) | 58.2x17.2x14 | | | mm | |
| Terminals | SMA | | | female | |
| Packing | bulk | | | | |
| ESD Sensitivity | 1500 | | | V | HBM as in IEC 61000-4-2 |

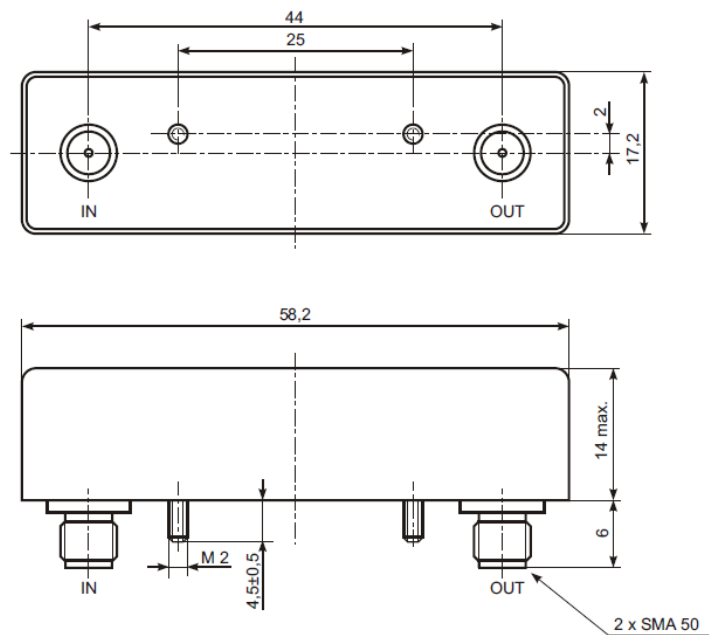
Notes:

1. Terminology and test conditions are according to IEC standard IEC60368-1, unless otherwise stated
2. RF input power of >10 mW must be avoided, as it may result in permanent damage of the filter.

Ordering Code:

| Model (Specification) | Frequency [MHz] |
|-----------------------|-----------------|
| QF2605 | 144,250 |

Enclosure drawing



Environmental conditions

| Test | IEC 60068 Part ... | IEC 60386-1 Clause ... | Test conditions |
|------------------------|--------------------|------------------------|--|
| Shock* | 2-27 | 2.3.5 | Test Ea, 3 x per axes 100g, 6 ms half-sine pulse |
| Vibration, sinusoidal* | 2-6 | 2.3.4 | Test Fc, 30 min per axes, 10 Hz - 55 Hz 0,75mm; 55 Hz - 2 kHz, 10g |

Revision History

| Rev. | Date [dd.mm.yyyy] | Remarks | Author | Checked |
|------|-------------------|--|--------|---------|
| 1 | 10.03.2003 | First issue QF2600 | BN | BN |
| 1 | 02.01.2017 | Package changed, editorial changes. New P/N QF2605 | BN | BN |