

Specification	QF2405	Rev.: 1	Date: 2017-01-02
---------------	--------	---------	------------------

Filter type : **Front End (Antenna) Crystal Filter**

Parameter	min.	typ.	max.	Unit	Condition
Frequency range	135		180	MHz	
Standard frequencies				kHz	
Pass bandwidth	±7,0			kHz	@ 3 dB
Pass band ripple			1	dB	@ fo ± 4 kHz
Insertion / transducer attenuation			6	dB	
Shape factor SF					... dB / ... dB
Selectivity					
			±30	kHz	@ 20 dB
			±60	kHz	@ 45 dB
				kHz	@ ... dB
Spurious response attenuation	30			dB	
Ultimate attenuation	50			dB	
Termination					
Input		50 // 0		Ω // pF	
Output		50 // 0		Ω // pF	
Group delay				μs	
Input Power					
nominal		0,1		mW	
Maximum (for 10 sec)			1	mW	
Operating temperature range	0		+60	°C	
Operable temperature range	-20		+70	°C	
Storage temperature range	-40		+85	°C	
Enclosure (see drawing)	58.2x17.2x14			mm	
Terminals	SMA			female	
Packing	bulk				
ESD Sensitivity	1500			V	HBM as in IEC 61000-4-2

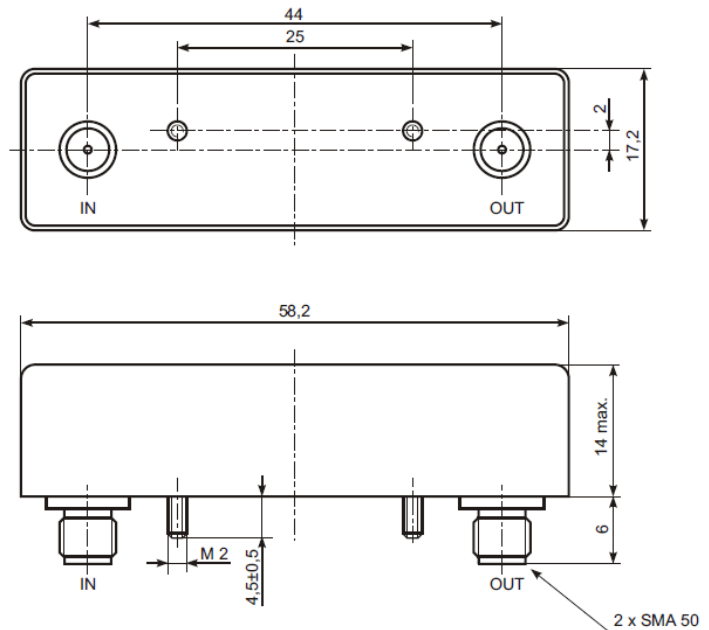
**Notes:**

1. Terminology and test conditions are according to IEC standard IEC60368-1, unless otherwise stated
2. RF input power of >10 mW must be avoided, as it may result in permanent damage of the filter.

**Ordering Code:**

Model (Specification)	Frequency [MHz]
QF2405	144,250

**Enclosure drawing**



**Environmental conditions**

Test	IEC 60068 Part ...	IEC 60386-1 Clause ...	Test conditions
Shock*	2-27	2.3.5	Test Ea, 3 x per axes 100g, 6 ms half-sine pulse
Vibration, sinusoidal*	2-6	2.3.4	Test Fc, 30 min per axes, 10 Hz - 55 Hz 0,75mm; 55 Hz - 2 kHz, 10g

**Revision History**

Rev.	Date [dd.mm.yyyy]	Remarks	Author	Checked
1	10.03.2003	First issue QF2400	BN	BN
1	02.01.2017	Package changed, editorial changes. New P/N QF2405	BN	BN