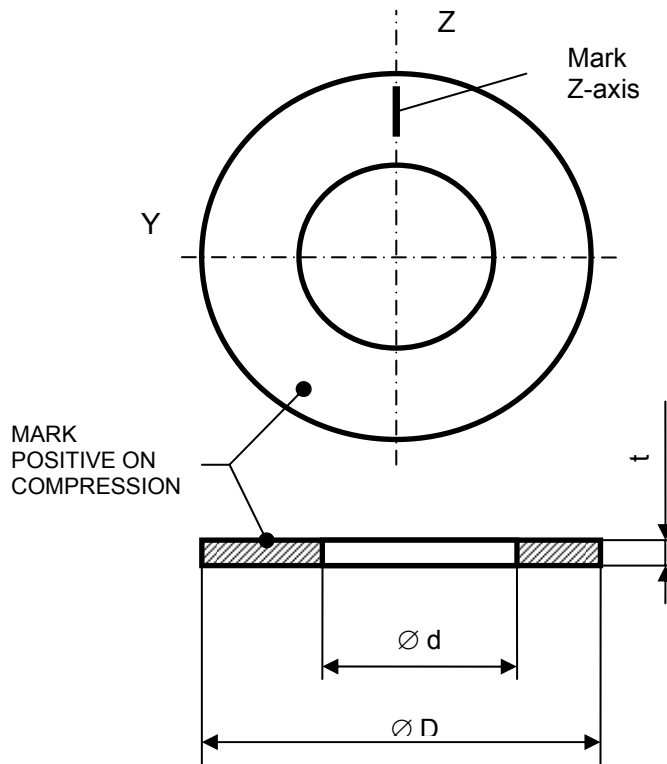


Pressure Sensor Element



Piezoelectric plated disc, X-cut	
Material	Langatate Lanthanum Gallium Tantalate ($\text{La}_3\text{Ga}_{5.5}\text{Ta}_{0.5}\text{O}_{14}$)
Dimensions	
Outer Diameter, D	5 ~ 10 mm ± 0.05 mm
Inner Diameter, d	2 ~ 4 mm ± 0.05 mm
Thickness, t	0.4 ~ 0.8 mm ± 0.026
Surfaces	
Surface Finish	Lapped, both sides
Flatness	within 1.00 μm
Electrodes	Fully gold plating (both sides), Cr adhesion layer underneath
Resistance	
Crystal Isolation Resistance	> $1 \times 10^6 \Omega$ at 500°C > $1 \times 10^{12} \Omega$ at Room Temp
Electrode Resistance	< 20 Ω / square